


JENNMAR
CIVIL

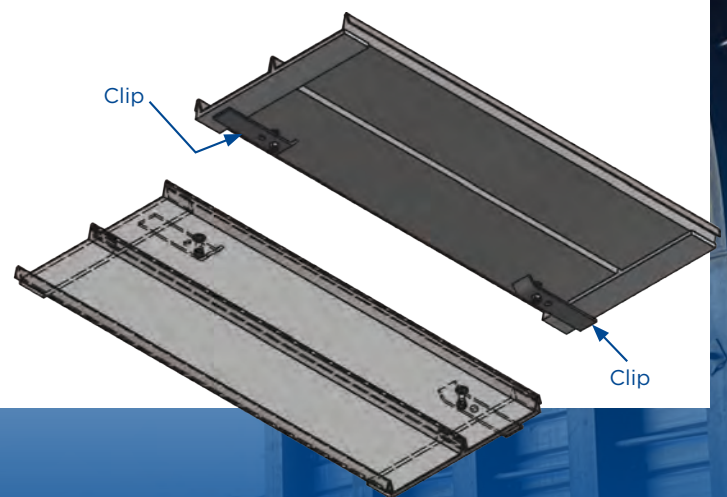
V-DECK LAGGING

V-DECK LAGGING PANELS

JENNMAR Engineering has designed, tested, and developed the Impact Resistant Lagging (IRL) system to protect steel sets. Various steel sets that are protected with IRL panels have been approved by MSHA and installed in several underground roof fall rehabilitation projects.

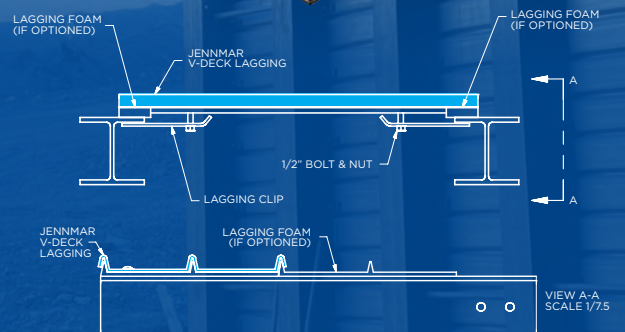
- Galvanized V-Deck Panel (18 × 46" × 12 gage) is used to provide primary flexural strength. Two clips are attached to facilitate easy installation of the lagging panel to the upper flange of the beam.

- 10 GA - 18 GA thickness options
- 2' L - 15' L Options
- 18" Overlapping widths
- Foam Inserts, carriage bolts, lagging clips



ADVANTAGES

- Provides sufficient flexural strength and acceptable cushioning effect
- Corrosion resistant
- Cost effective
- Easy material handling and installation



DISCLAIMER: Contents of JENNMAR Civil publications are provided for informational purposes only. Nominal values for technical data are provided.

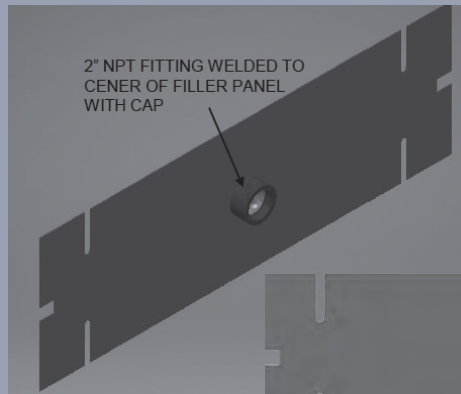
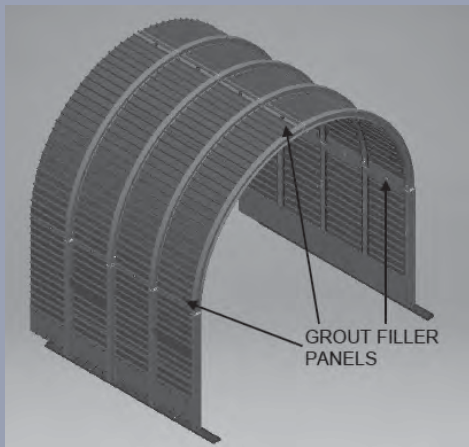
For site-specific product information, contact your JENNMAR Civil representative. While every effort has been made to ensure the accuracy of these publications, they are not to be construed as warranties or guarantees, express or implied, regarding the products or services described herein or their use or applicability. All sales are governed by JENNMAR Civil terms and conditions. We reserve the right to modify or improve the designs or specifications of such products at any time without notice. Not all products are available in all areas.

V-DECK LAGGING PANELS

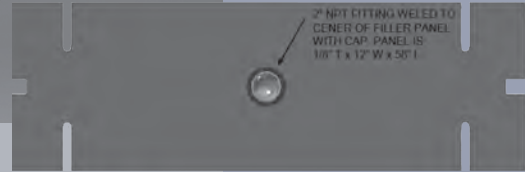
Lagging Gage	Gage Thickness, in.	Mol, in ⁴	Elastic Modulus, psi	Yield Strength, psi
10	0.1382	1.330	29,000,000.00	28,000.00
12	0.1084	1.050		
16	0.0635	0.600		
18	0.0516	0.480		
20	0.0396	0.360		

18 inch panel width. Available with galvanized coating.

GROUT FILLER PANELS



VARIOUS NPT FITTINGS AVAILABLE





JENNMAR CIVIL & SPECIALTY DIVISION

JACOB A. HUNTER, PE - GENERAL MANAGER

jhunter@jennmar.com | Emerald Lake Dr. Matthews, NC 28104 • P: 704-893-5378 C: 740-508-2316
Virginia Specialty: 559 Wardell Industrial Park Rd., Cedar Bluff, VA 24609 • P: 276-964-7001

BOBBY CANNON

Western US Technical Sales
P: 276-698-4738
bcannon@jennmar.com

ZACH WEST

Central US Technical Sales Engineer
P: 512-771-7992
zwest@jennmar.com

PATRICK McNULTY

Eastern US Technical Sales
P: 502-963-2404
pmcnulty@jennmar.com

WWW.JENNMARCIVIL.COM